

# Product data sheet

## Characteristics

# 9070T50D24

Transformer, Type T, industrial control, 50 VA,  
110/115/120 VAC prim / 110/115/120 VAC  
second, 1 phase, 50/60 Hz, 55 °C



Product availability: Non-Stock - Not normally stocked in distribution facility

Price\*: 468.00 USD



### Main

Product or component type	Industrial Control Transformer
Rated power in VA	50 VA
Range of product	T

### Complementary

Phase	1 phase
Rated power in VA	50 VA
Temperature rise	55 °C
Electrical connection	Screw clamp terminals
Height	2.58 In (65.53 mm)
Width	3 In (76.20 mm)
Depth	3.09 In (78.49 mm)
Material	Copper winding
Product compatibility	FSC1

### Environment

Product certifications	CSA file LR37055 guide 184-N-90 UL listed file E61239
NEMA degree of protection	Not rated (open device)
Insulation temperature	221 °F (105 °C)

### Ordering and shipping details

Category	16206 - 9070 T (NOT TF) MTO
Discount Schedule	CP8
GTIN	00785901339649
Nbr. of units in pkg.	1
Package weight(Lbs)	2.50 Lb(US) (1.134 kg)

Returnability	No
Country of origin	US

### Packing Units

Unit Type of Package 1	PCE
Package 1 Height	3.50 In (8.89 cm)
Package 1 width	3.88 In (9.855 cm)
Package 1 Length	4.00 In (10.16 cm)

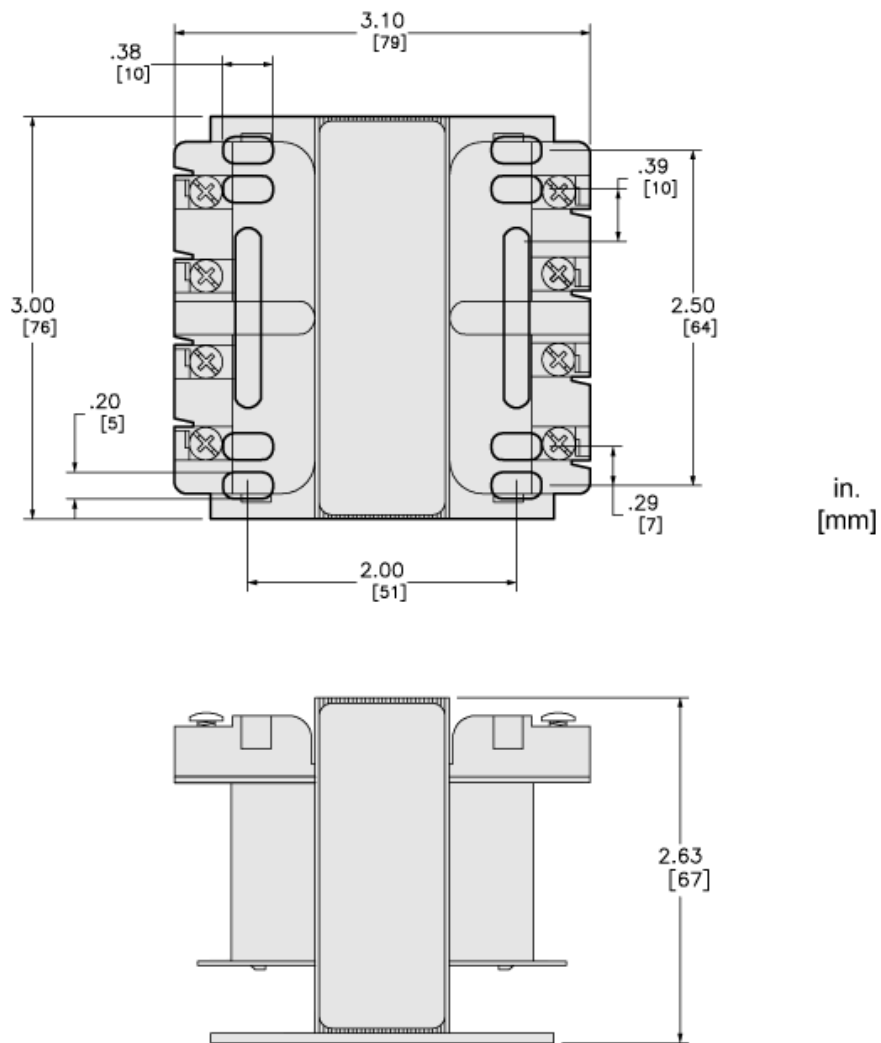
### Offer Sustainability

Sustainable offer status	Green Premium product
California proposition 65	WARNING: This product can expose you to chemicals including: Phenyl glycidyl ether, which is known to the State of California to cause cancer and birth defects or other reproductive harm. For more information go to <a href="http://www.P65Warnings.ca.gov">www.P65Warnings.ca.gov</a>
REACH Regulation	<a href="#">REACH Declaration</a>
EU RoHS Directive	Compliant <a href="#">EU RoHS Declaration</a>
Mercury free	Yes
RoHS exemption information	<a href="#">Yes</a>
China RoHS Regulation	<a href="#">China RoHS Declaration</a>
Environmental Disclosure	<a href="#">Product Environmental Profile</a>
PVC free	Yes

### Contractual warranty

Warranty	10 Years
----------	----------

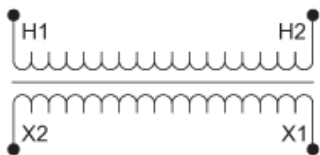
Approximate Dimensions



Connections and Wiring Diagrams

Voltage and Connection Options

Voltage Code	Voltages		Connections	
	Primary	Secondary	Primary	Secondary
D3	208	120	Connect to H1 and H2	Connect to X1 and X2
D4	277	120		
D5	550	110		
	575	115		
	600	120		
D6	380	110		
D17	415	110		
D24	110	110		
	115	115		
	120	120		
D93	200	115		
D103	400	120		



Product Life Status : **Commercialised**